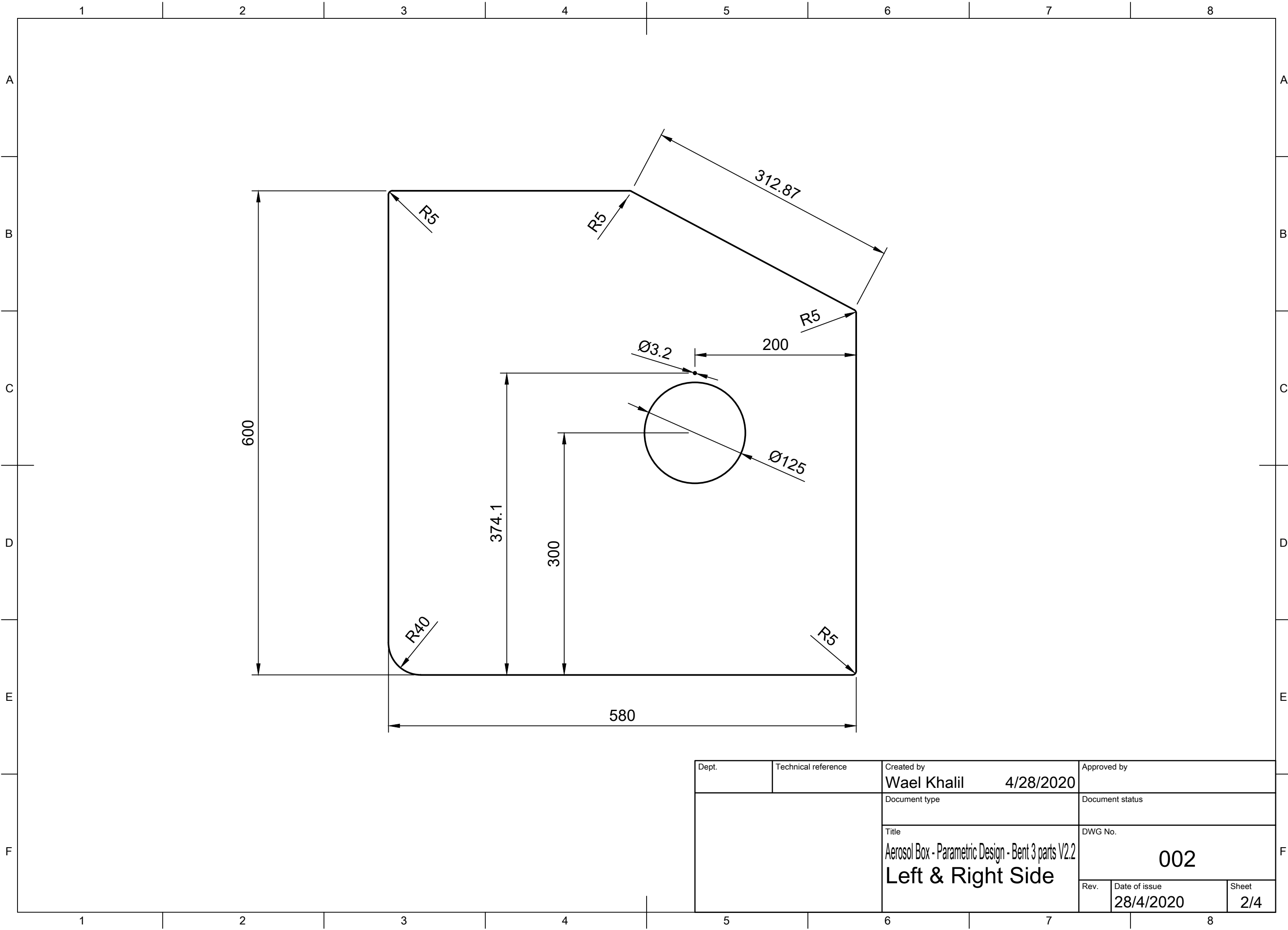
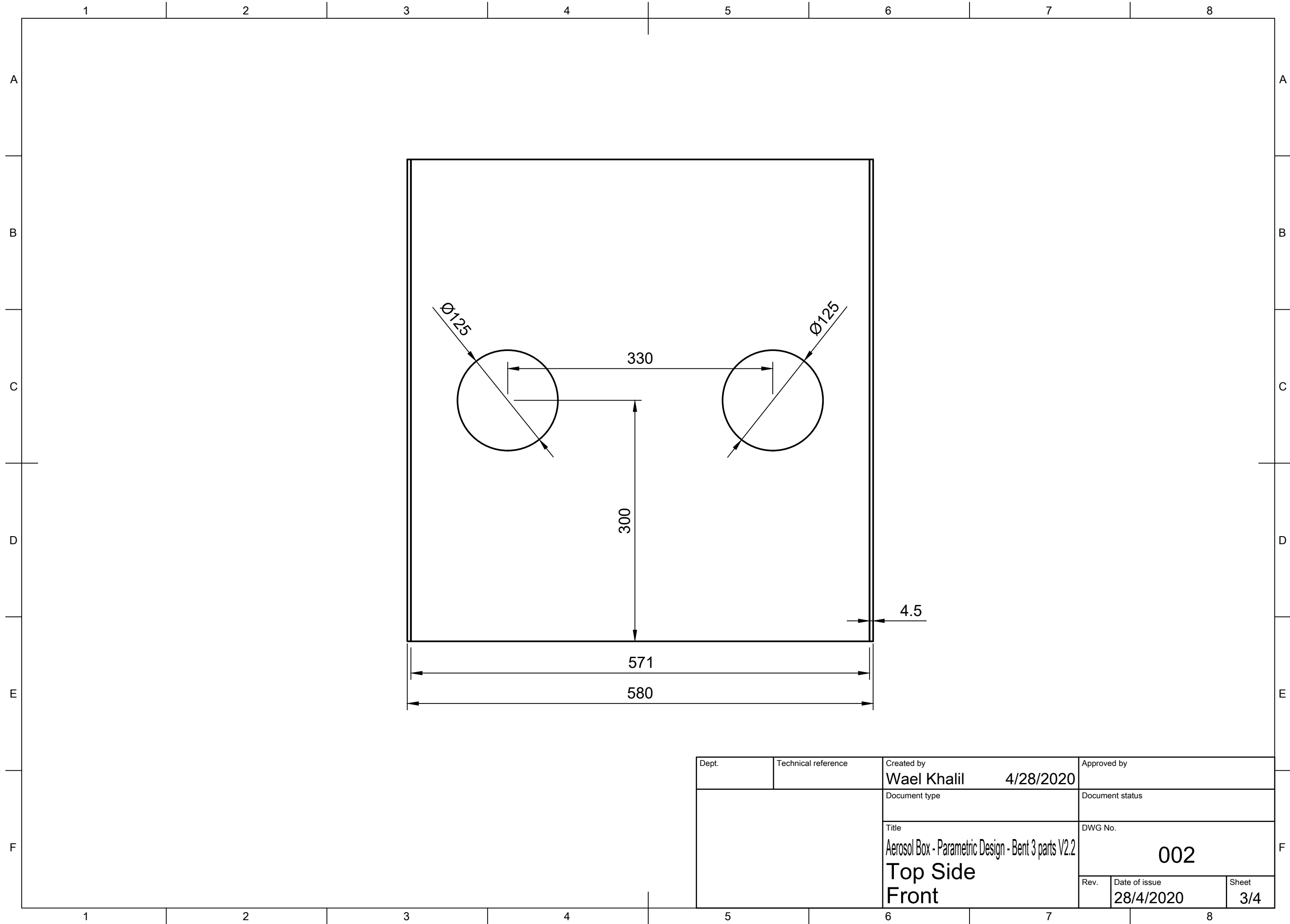


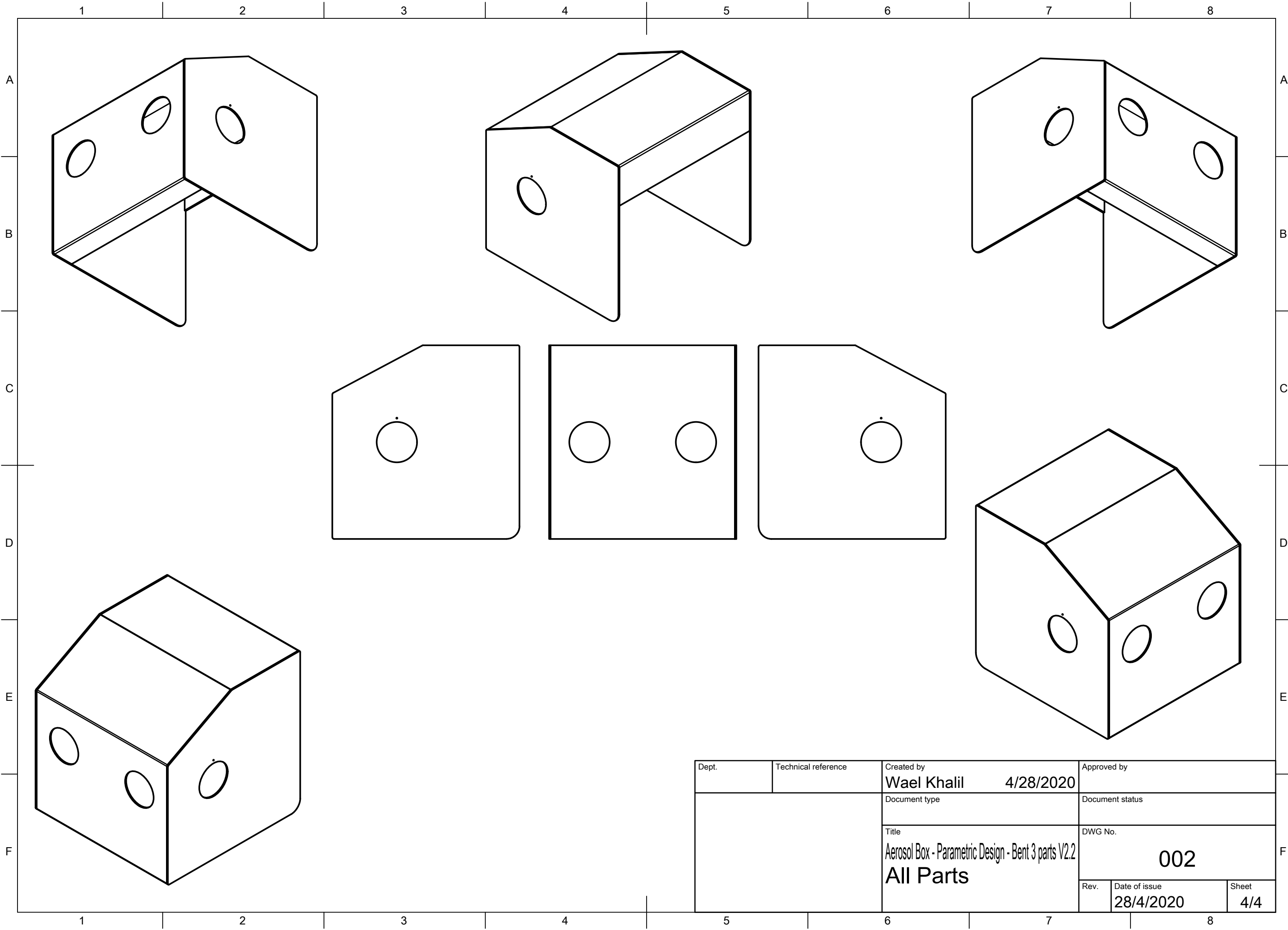
Dept.	Technical reference	Created by Wael Khalil	4/28/2020	Approved by
		Document type	Document status	
		Title Aerosol Box - Parametric Design - Bent 3 parts V2.2	DWG No. 002	
		Top Side	Rev.	Date of issue
		Cutting & Bending	28/4/2020	Sheet 1/4



Dept.	Technical reference	Created by Wael Khalil	4/28/2020	Approved by
		Document type	Document status	
		Title Aerosol Box - Parametric Design - Bent 3 parts V2.2 Left & Right Side	DWG No. 002	
Rev.	Date of issue 28/4/2020	Sheet 2/4		



Dept.	Technical reference	Created by Wael Khalil	4/28/2020	Approved by
		Document type	Document status	
		Title Aerosol Box - Parametric Design - Bent 3 parts V2.2	DWG No. 002	
		Top Side	Rev.	Date of issue
		Front	28/4/2020	Sheet 3/4



Dept.	Technical reference	Created by Wael Khalil	4/28/2020	Approved by
		Document type	Document status	
		Title Aerosol Box - Parametric Design - Bent 3 parts V2.2	DWG No. 002	
		Rev.	Date of issue 28/4/2020	Sheet 4/4